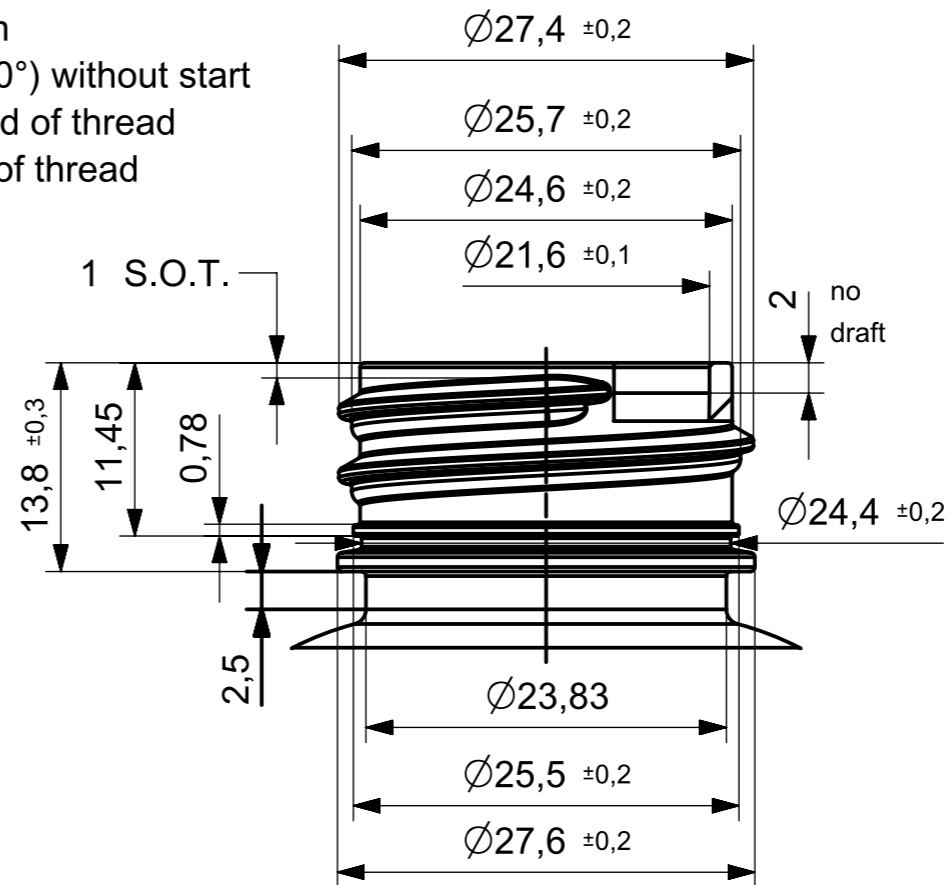


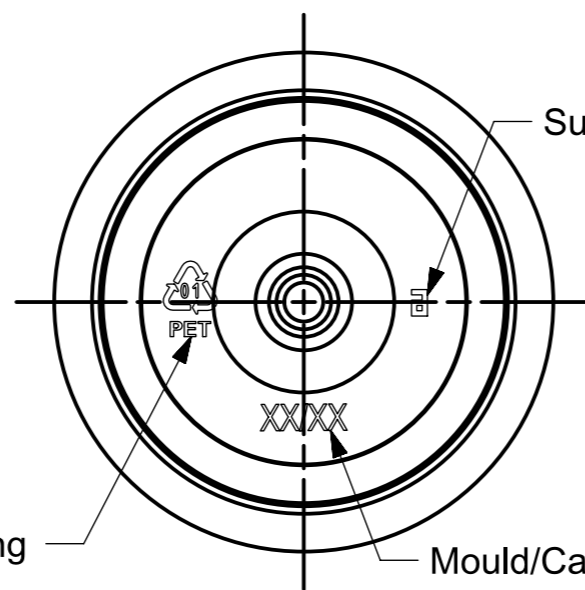
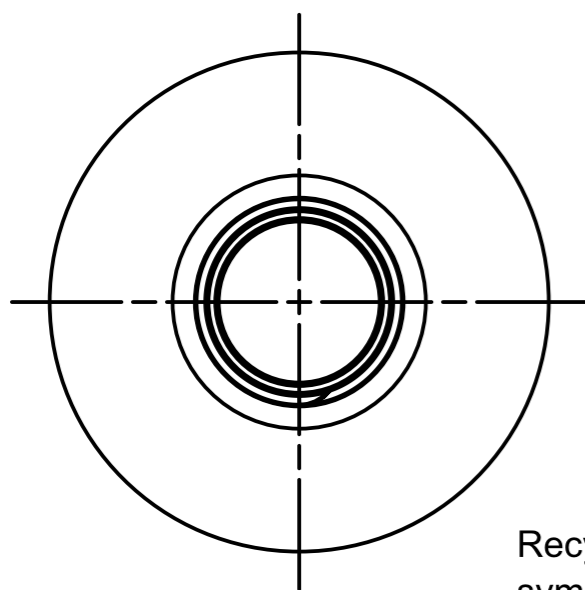
Neck Detail:  
 Scale: 2:1  
 Pitch: 4,23mm  
 Turns: 1,5 (540°) without start and end of thread  
 Starts: 1 start of thread



Material: PET  
 Weight: 30g ± 0,4g  
 Volume: 400ml fill level  
 440ml ± 10ml brimful

Surface area: 33769mm<sup>2</sup>

①a Mould no.: 8261



Recycling symbol

Mould/Cavity number

General Tolerance BLOWMOLDING ARTICLE: DIN ISO 2768-c INJECTION ARTICLE: DIN 16901/150B PREFORM: DIN 16901/130A	1a	mould number added	Fl	20.05.22						
	Index	Modification	Name	Date	Index	Modification	Name	Date		
	Scale:		Name	Date						
	1:1		Prepared: Iwan	13.05.2022						
2:1		Reviewed: Oekmen	13.05.2022	Superseded: Superseded by: Weight:						
ALPLA reserves all rights to the technical IP contained in the document		Art.No.: Page: 1 of 1								
Title:		Drawing No.: Revision: 01								
Boston Round 400ml PET article drawing		A001_2_9401_722_08845_Rev1_Z01								