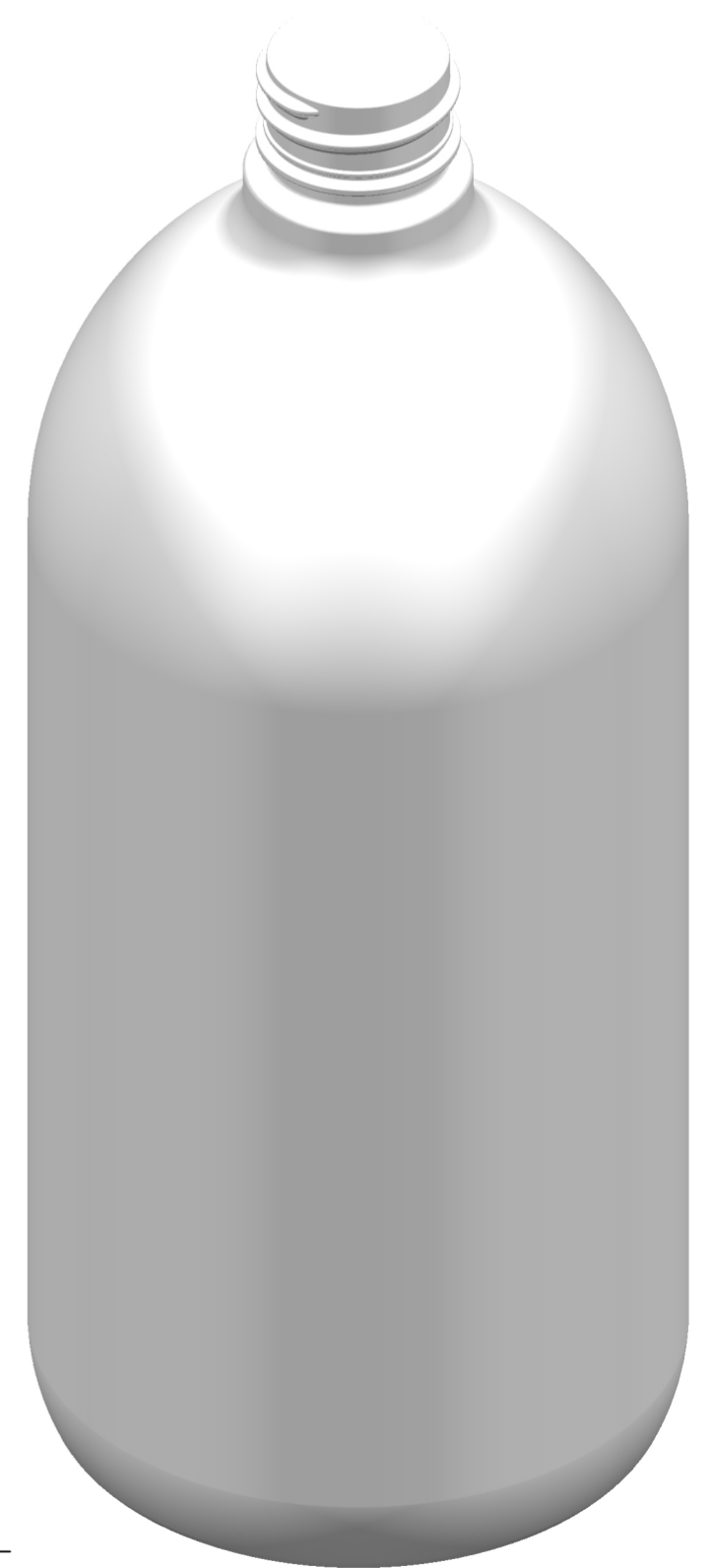
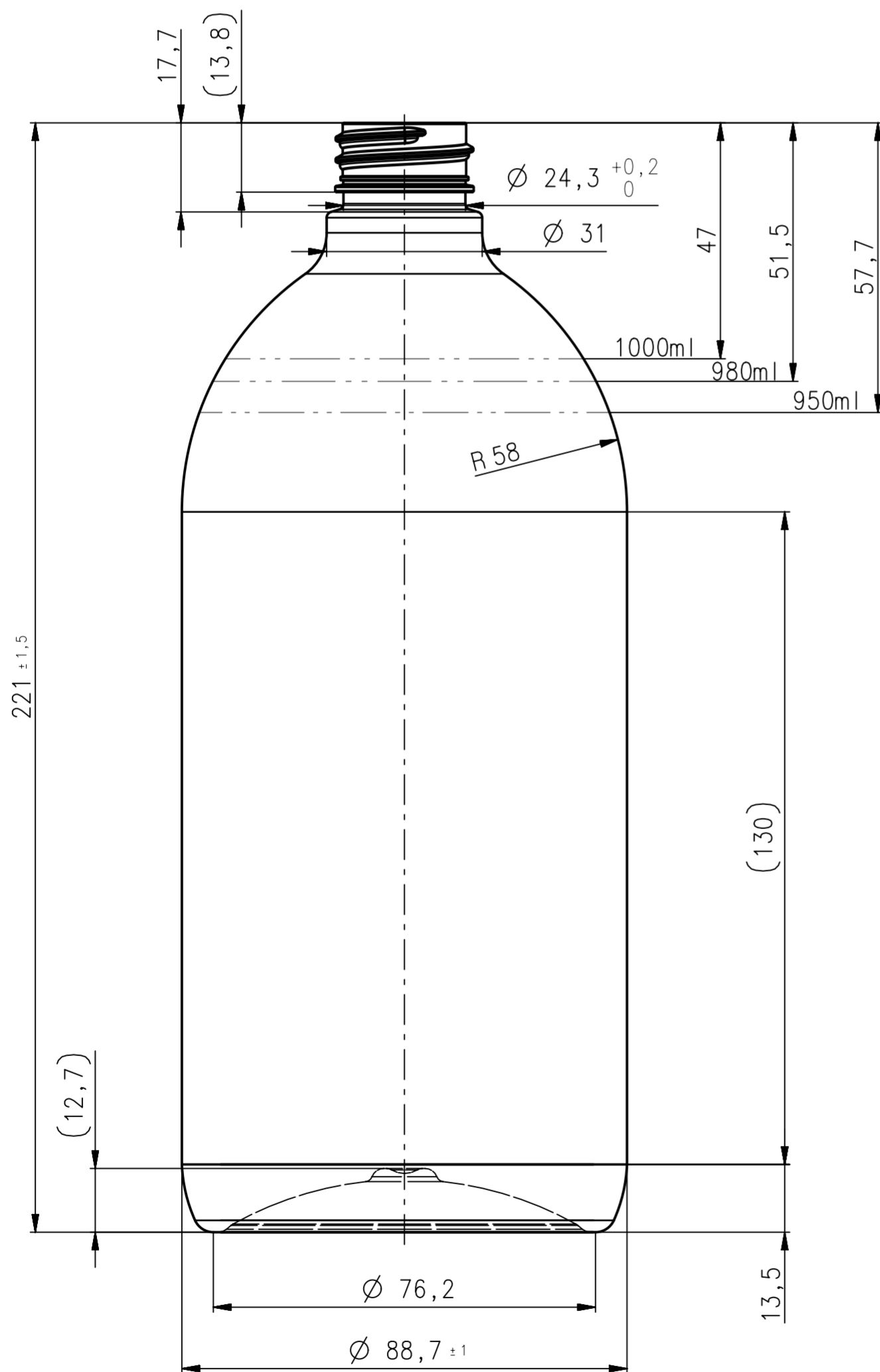
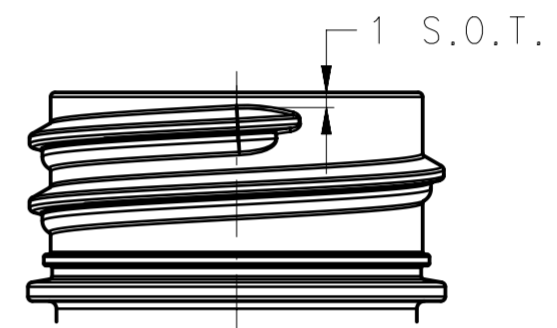
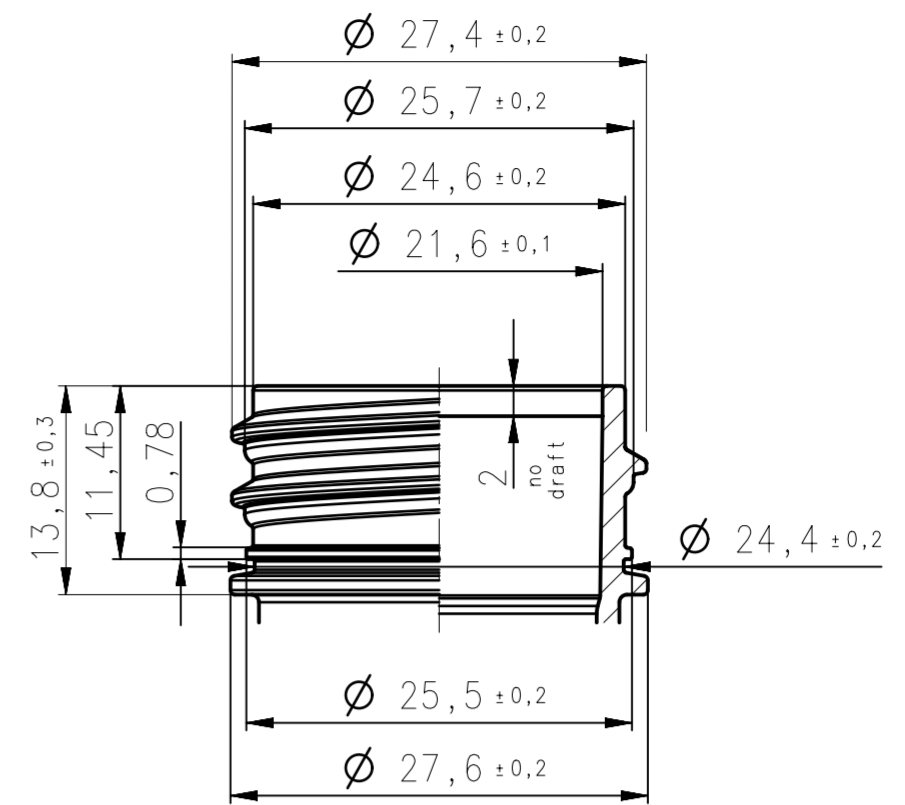
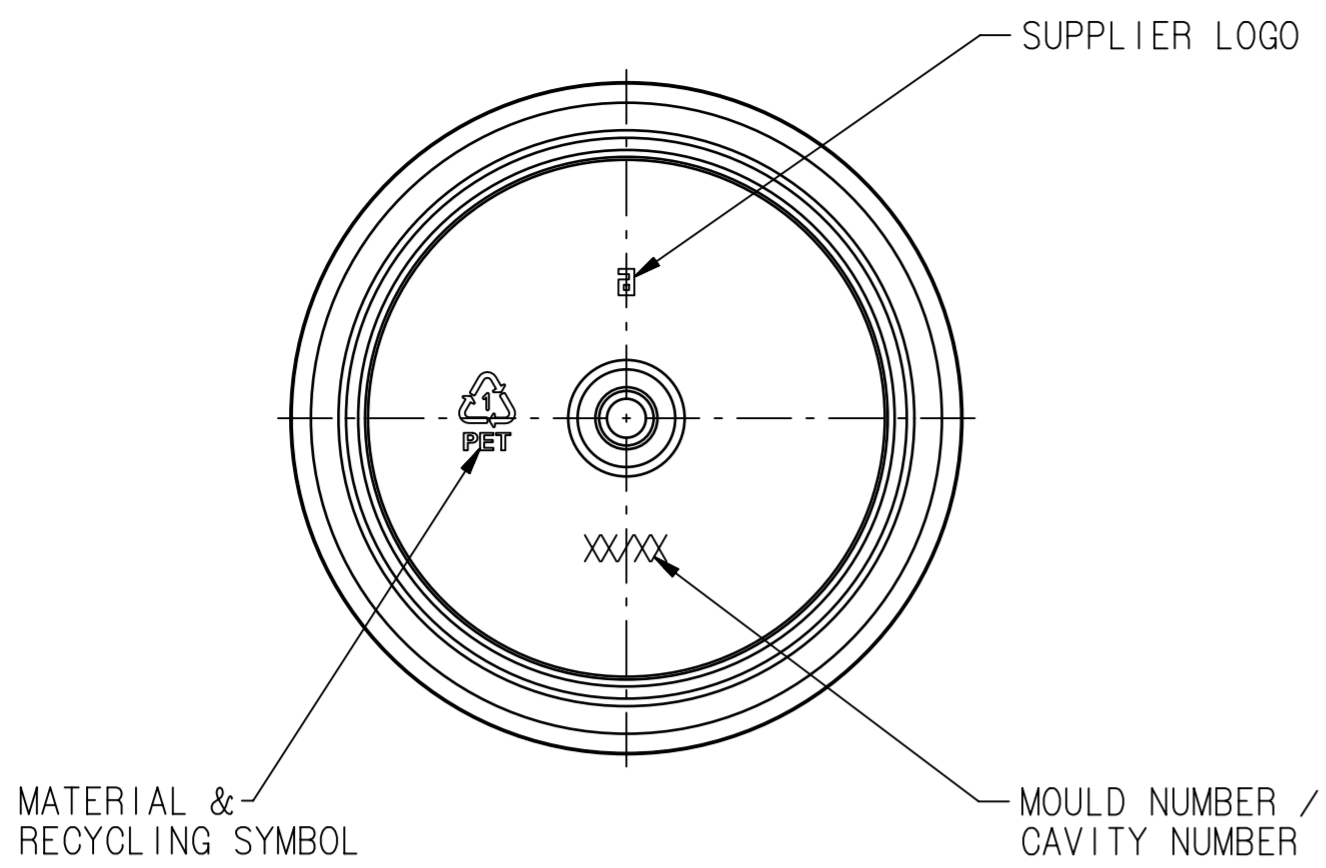


NECK DETAIL: PITCH: 6 turns/inch
 SCALE 2:1 TURNS: 1,5 (540°) without
 start and end
 of thread
 STARTS: 1



MATERIAL: PET
 WEIGHT: 39 ± 1g
 VOLUME: 1060 ± 20ml BRIMFULL

SURFACE AREA: 61435.5mm²

STRETCHED LENGTH: 262.59mm
 AVERAGE CIRCUMFERENCE: 278.66mm
 BASE CIRCUMFERENCE: 239.24mm

Index		Modification:		Name	Date	Index		Modification:		Name	Date
Scale:		1:1		Name	Date	Superseded:				Art.No.:	
2:1				Prepared: Mudassar Ahmed	26.Jul.21	Superseded by:				Page: 1 of 1	
ALPLA reserves all rights to the technical IP contained in the document				Reviewed: YY	26.Jul.21	Weight: 00kg				Drawing No.:	
Title:		Austin 1000ml PET								Revision: 00	
General Tolerance: DIN ISO 2768-s		BLOWMOLDING ARTICLE: DIN 16742/167-w								9401_021_007_01	
INJECTION ARTICLE: DIN 16742/166-NW		PREFORM: DIN 16742/166-NW									

ALPLA