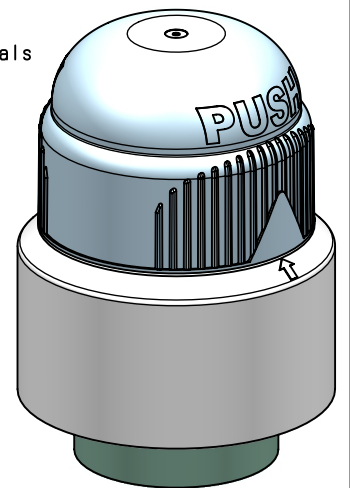
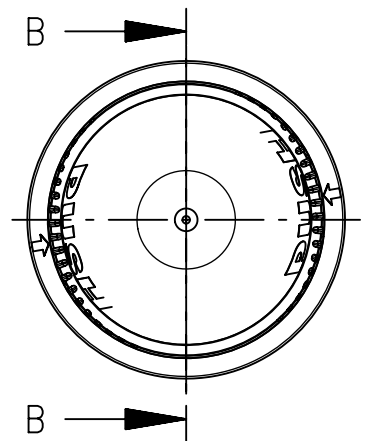
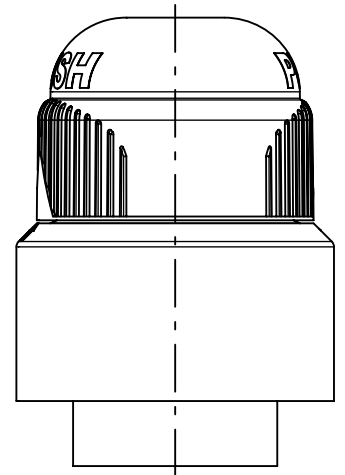
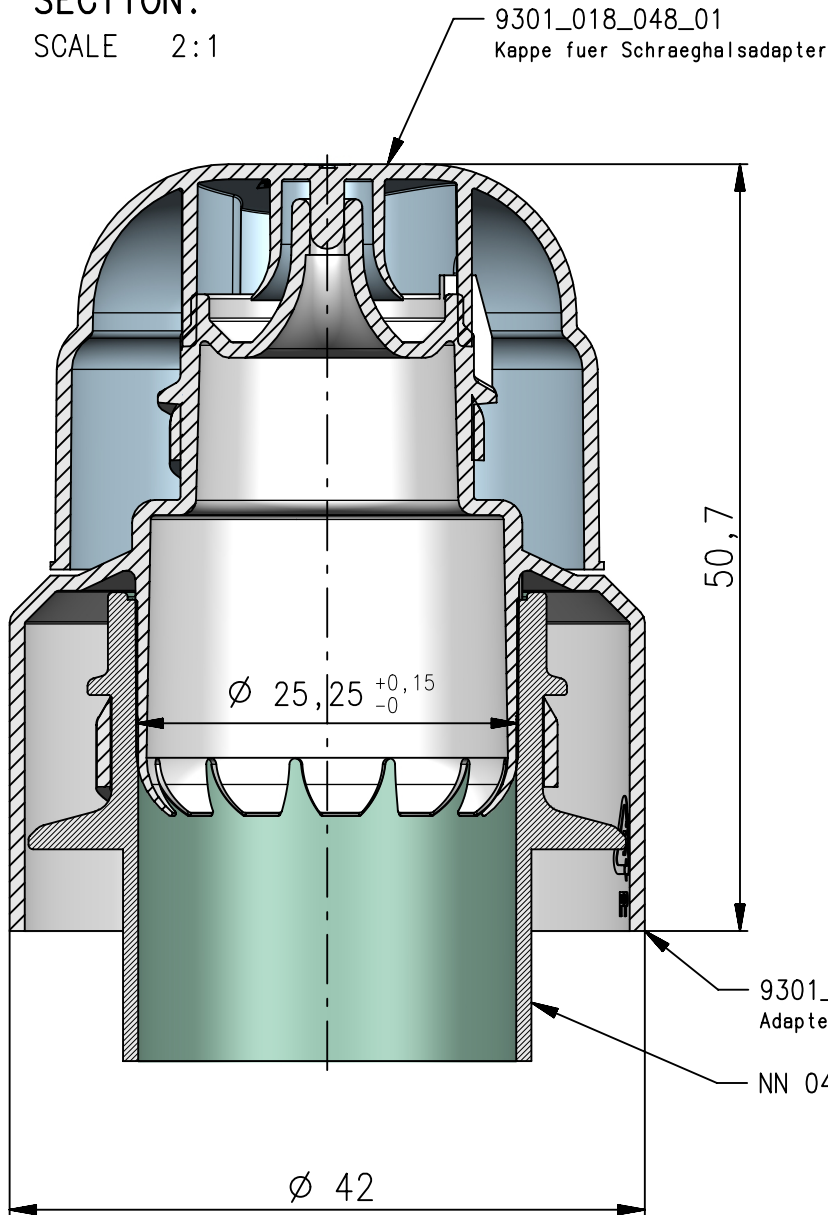



SECTION:
SCALE 2:1



03a	Cap Dwg changed	ZTH	10.Jan.20	-	-	-	-
01a	Adapter Nr. changed	ZTH	18.Jul.17	02a	cap dwg nr. modified	ZTH	12.Dec.17
Index	Modification:	Name	Date	Index	Modification:	Name	Date
Scale:		Name	Date				
1:1	Prepared:	Danler Karl	27.Mar.17				
1:1	Reviewed:	DK	27.Mar.17				
ALPLA reserves all rights to the technical IP contained in the document	Superseded:			Art.No.:	Page: 1 of 1		
	Superseded by:			Drawing No.:	Revision: 03		
Title:							
WC Schraeghals KISI Zusammenbau STANDARD				9301_017_007_02			