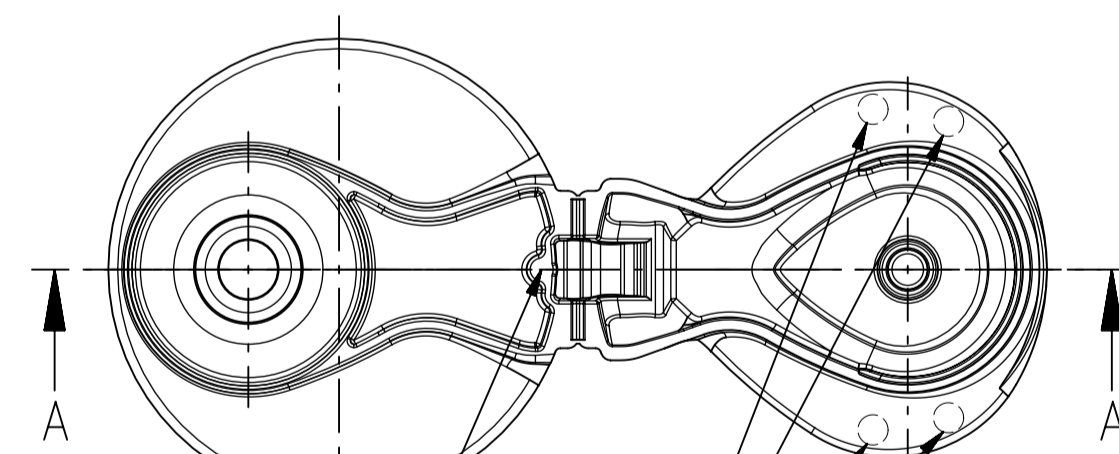
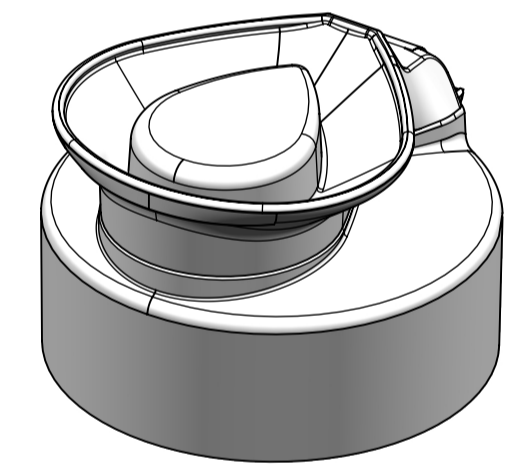
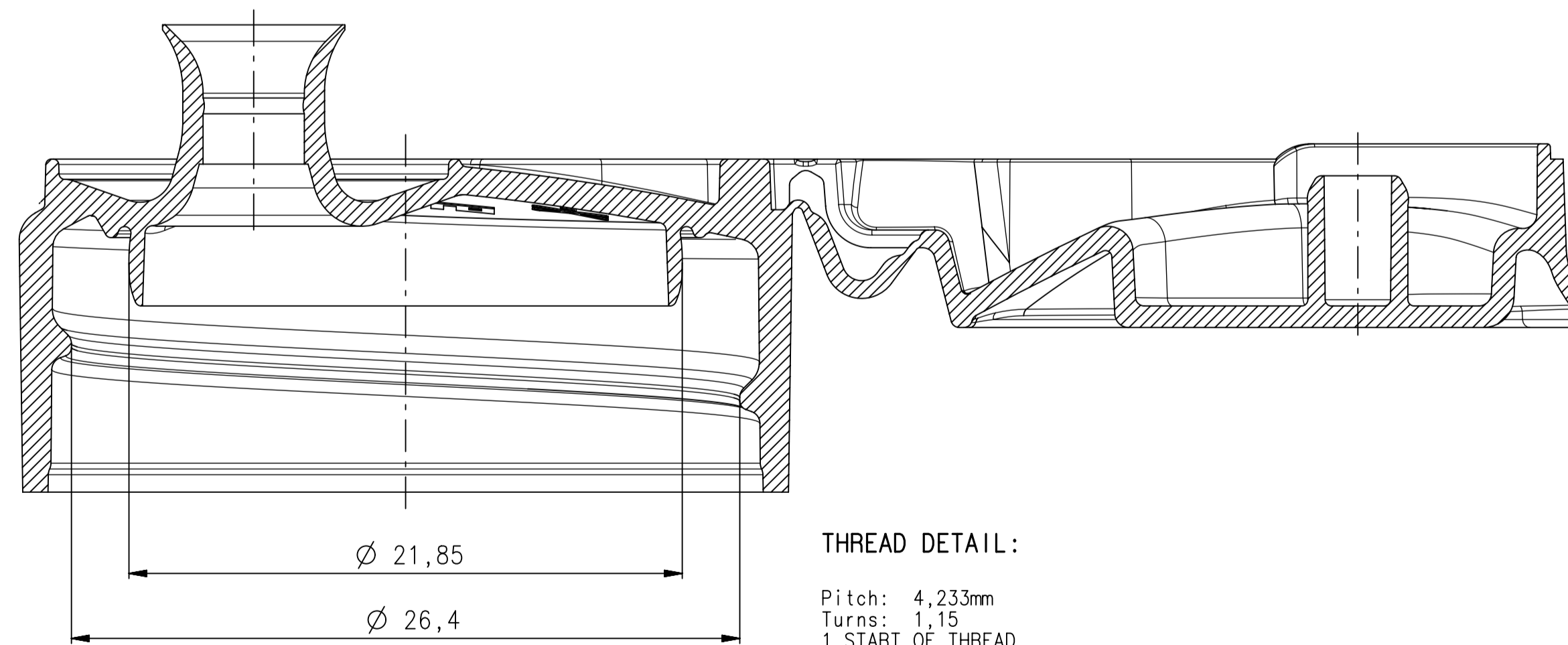


SECTION A-A  
SCALE 5:1



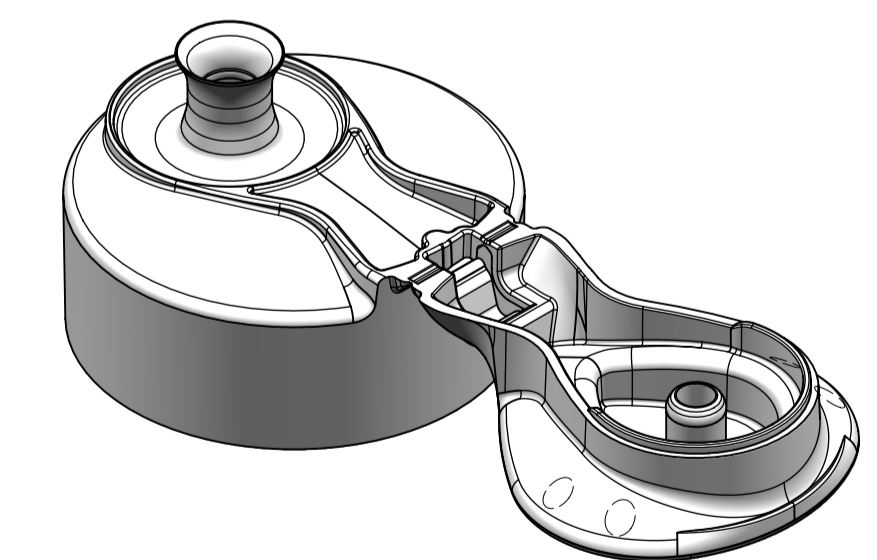
Injection Gate

Visible parting line  
ejector Pin



THREAD DETAIL:

Pitch: 4,233mm  
Turns: 1,15  
1 START OF THREAD



01a	Top view added	ZTH	29.Sep.20	-	-	-	-
Index	Modification:	Name	Date	Index	Modification:	Name	Date
Scale:	2:1	Name	Dangl Matthias	Date	31.Aug.20		
	5:1 4:1	Reviewed:					
ALPLA reserves all rights to the technical IP contained in the document		Superseded by:					
Title:		Weight:	00kg	Art.No.:	Page:	1	of 1
FT Cap 28-400		Drawing No.:		Revision:		01	
		9301_020_010_01_C1					

