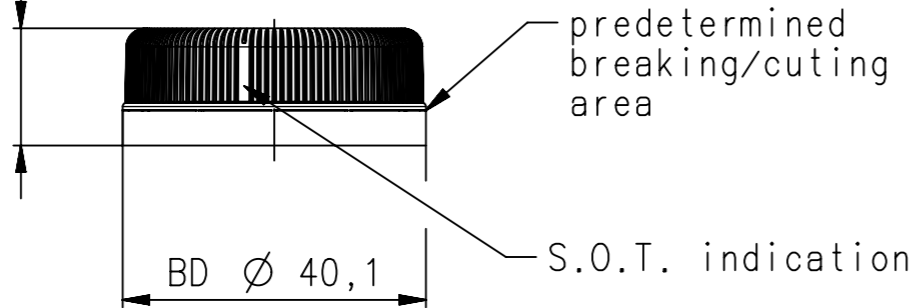


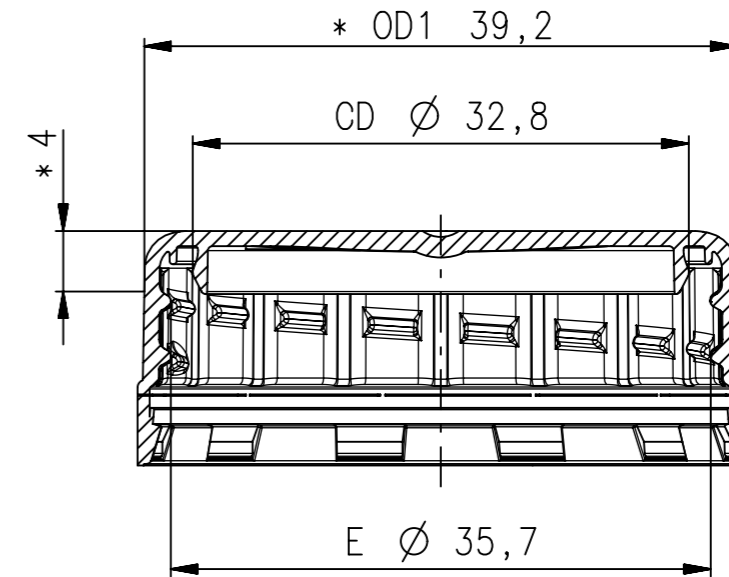
H<sub>L0</sub> (15,5)



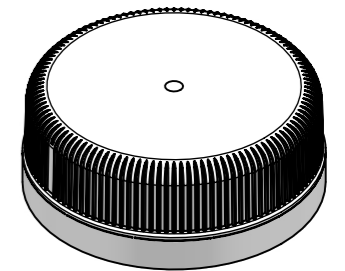
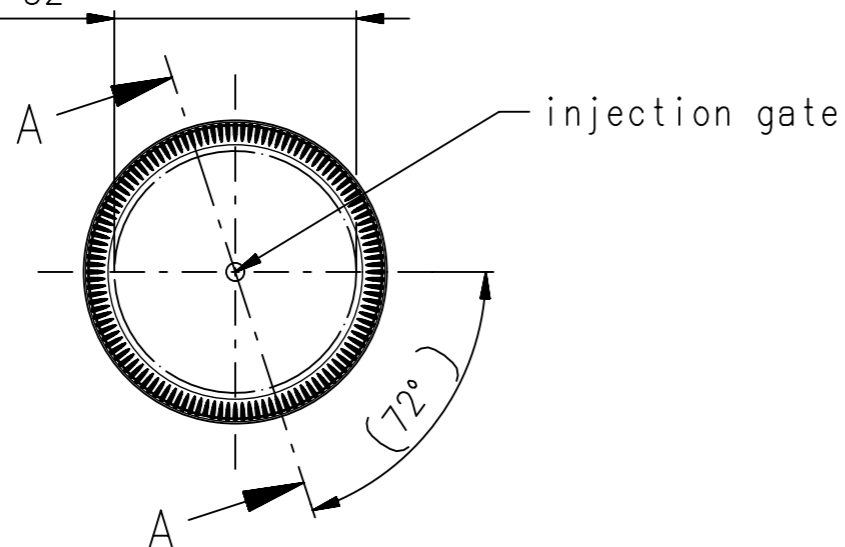
SECTION A-A

SCALE 2:1

view turned by 72°




printable area Ø 32



THREAD DETAIL:

PITCH: 7,264mm  
 TURNS: 0,6  
 2 START THREAD

Index	Modification:	Name	Date	Index	Modification:	Name	Date
-	-	-	-	-	-	-	-
Scale:		Name		Date			
1:1		Prepared: Suess Georg		10.Oct.22			
2:1		Reviewed:					
ALPLA reserves all rights to the technical IP contained in the document		Superseded:		Art.No.:		Page: 1 of 1	
		Superseded by:		Weight: 00kg		Revision: 00	
Title: ASC4401_3029_01.0				Drawing No.: 9301_022_127_01_C2			